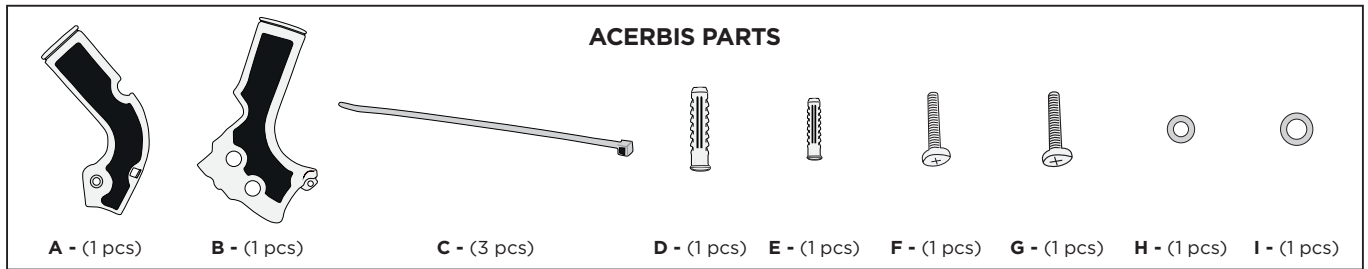


X-GRIP FRAME GUARD PARATELAIO X-GRIP

COD. 500002849 REV.6

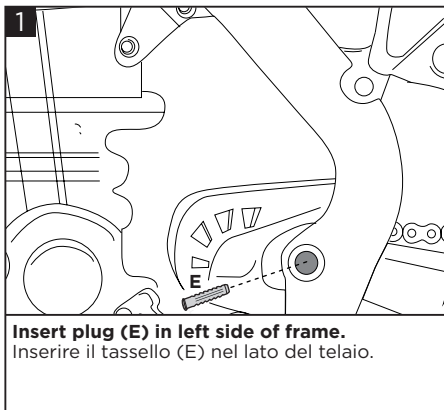


WARNING

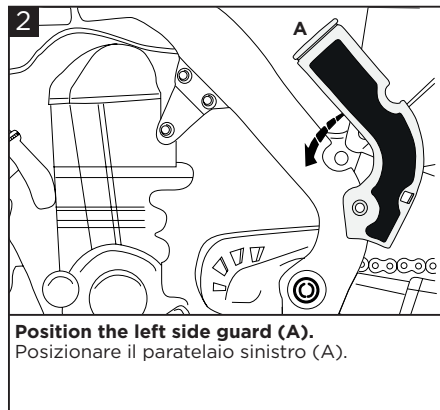


ATTENZIONE: Si consiglia vivamente di rimuovere periodicamente il prodotto per la pulizia e la manutenzione.

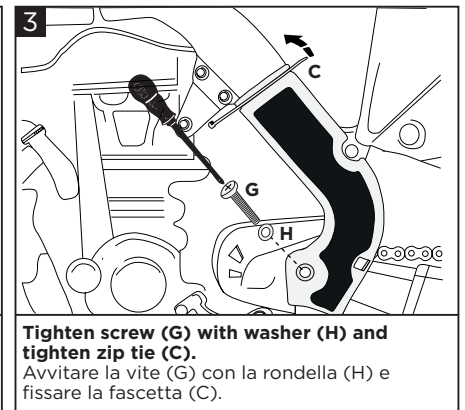
ATTENTION: Highly recommended to remove product periodically for cleaning maintenance.



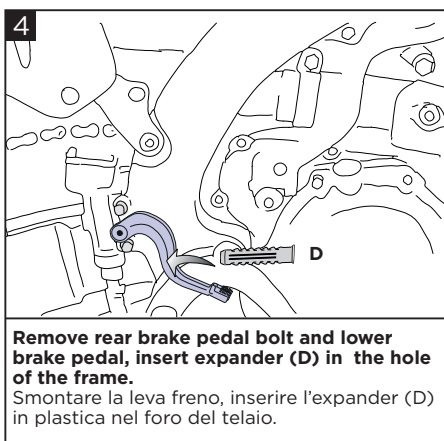
Insert plug (E) in left side of frame.
Inserire il tassello (E) nel lato del telaio.



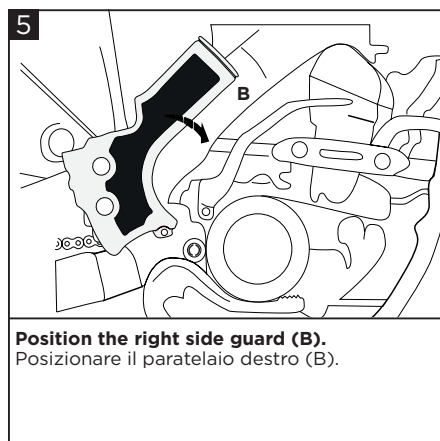
Position the left side guard (A).
Posizionare il paratelaio sinistro (A).



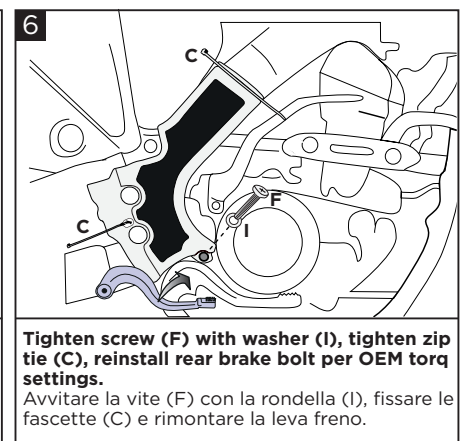
Tighten screw (G) with washer (H) and tighten zip tie (C).
Avvitare la vite (G) con la rondella (H) e fissare la fascetta (C).



Remove rear brake pedal bolt and lower brake pedal, insert expander (D) in the hole of the frame.
Smontare la leva freno, inserire l'expander (D) in plastica nel foro del telaio.



Position the right side guard (B).
Posizionare il paratelaio destro (B).



Tighten screw (F) with washer (I), tighten zip tie (C), reinstall rear brake bolt per OEM torque settings.
Avvitare la vite (F) con la rondella (I), fissare le fascette (C) e rimontare la leva freno.

WARNING!

Use at your own risk. Check the security of your device before you ride. Be sure that you follow the instructions installing the Acerbis products. Do not ride if there is missing or damaged hardware. If this is the case, take the item immediately back to your dealer. Make sure the throttle and other controls are free every time you ride. Lack of attention to instruction and warning could lead to interference with the controls, loss of control, and an accidents. Acerbis recommends that installation must be done by a licendes mechanic and that only Acerbis original parts are used during fitting. Acerbis makes no guarantees or representations, express or implied, regarding the fitness of its products for any particular purpose. Acerbis makes no guarantees or representations, express or implied, regarding the extent to which its product protect individuals or property from injury or death or damage.

EUROPE

ACERBIS ITALIA S.P.A.
VIA SERIO, 37
24021 ALBINO (BG)
ITALY

U.S.A.

ACERBIS U.S.A. INC.
MAIL P.O. BOX 2030
SUN VALLEY, ID 83353
SHIP 110 LINDAY CIRCLE
KETCHUM, ID 83340
U.S.A.

UNITED KINGDOM

ACERBIS U.K LTD
UNIT 2 LUTON ENTERPRISE PARK
SUNDON PARK ROAD
LUTON, BEDFORDSHIRE LU3 3GU
GREAT BRITAIN